

# 2020-04-07 TAPI Meeting notes

## Date

07 Apr 2020

## Attendees

- [Karthik Sethuraman](#)
- [Hing-Kam Lam](#)
- [Jonathan Sadler](#)
- [Andrea Mazzini](#)
- [Malcolm Betts](#)
- [Nigel Davis](#)
- [Arturo Mayoral](#)

## Goals

- **2.1.3 version freeze**
  - Any issue on Github commits
  - UML2YANG generation
  - Final review of ODU connectivity model (payload type, tributary slot list, client type)
  - Enum vs. Identity
- Continue preparation of May Virtual Meeting agenda

## Discussion items

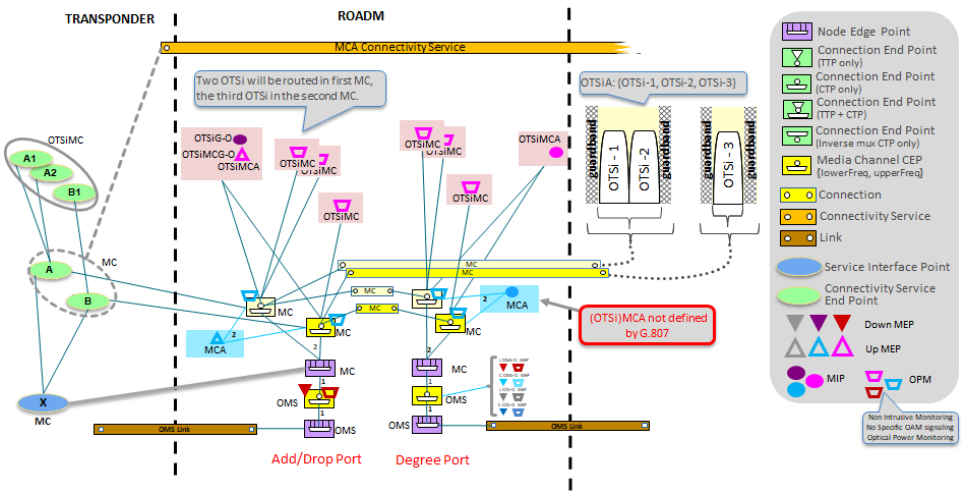
5 m ins	A d m in is tr at ive	<a href="#">A n d r e a M a z z i n i</a>	<ul style="list-style-type: none"><li>• <b>Next F2F TAPI meeting, Virtual Meeting:</b><ul style="list-style-type: none"><li>• 04 May 2020 - 08 May 2020</li></ul></li><li>• 14 Apr 2020 TAPI Call: <b>2 hours</b><ul style="list-style-type: none"><li>• <b>2.1.3 version - status update</b></li><li>• Continue preparation of May Virtual Meeting agenda</li></ul></li></ul>
1 5 m ins	O b j e c t T y p e e n u m e r a t ion	<a href="#">N i g e l D a v i s</a> <a href="#">A r t u r o M a y o r a l</a>	<p><a href="#">Nigel Davis</a> shows that version v2.1.x and <i>Next Major Release</i> have different models of ObjectType enumeration.</p> <p>Summary of agreements:</p> <ul style="list-style-type: none"><li>• v2.1.x:<ul style="list-style-type: none"><li>• Keep distinct enumerations in TapiStreaming and TapiNotification models.</li><li>• ObjectType of TapiNotification, remove the "EQUIPMENT_OBJECT_TYPE_" prefix from the entries added for equipment classes.</li></ul></li><li>• For further analysis if and how enhance <i>Next Major Release</i></li></ul>

1 5 m ins  
 Nigel Davis  
 Karthik Sethuraman

Nigel Davis in case Enumeration type is not extensible without breaking backward compatibility, we need to move to Identity type, which is a complex one. Karthik Sethuraman moving Enums to Identities is not backward compatible. After some checks, Karthik Sethuraman confirms that in Yang 1.1 the Enumeration can be extended without breaking backward compatibility, at the condition of integer reflecting the position. Hence an Enumeration can be extended without breaking backward compatibility by appending new entries at the end.

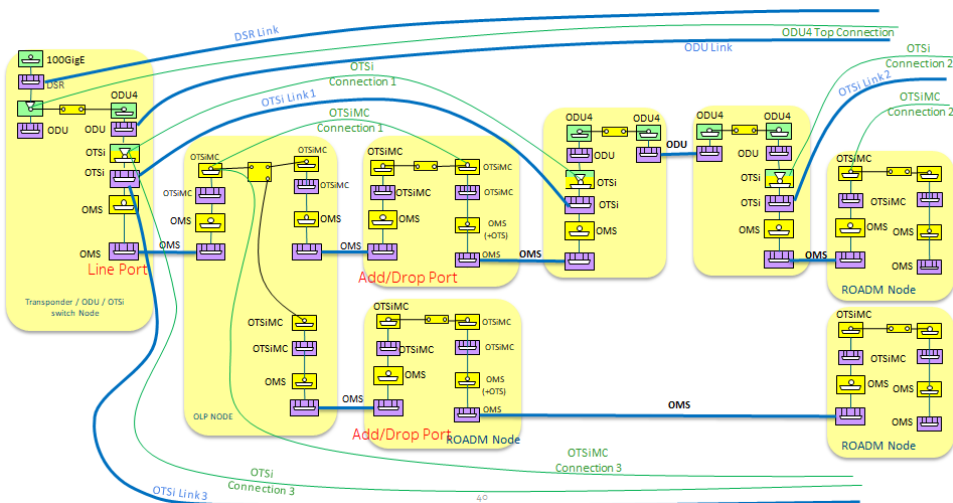
2 0 m ins  
 Arturo Mayoral  
 Malcom Betts

Arturo Mayoral presents some slides with the purpose to clarify which will be the focus of photonic service management. Agreed that "real" provisioning of filters etc. is a consequence of Media Channel (MC) Service provisioning, while OTSiMC adds details regarding the spectrum only MC "layer" will be explicitly modeled (below slide was not presented during the call):



In this way the model is simplified while allowing future introduction of the OTSi/MC/A specific monitoring constructs.

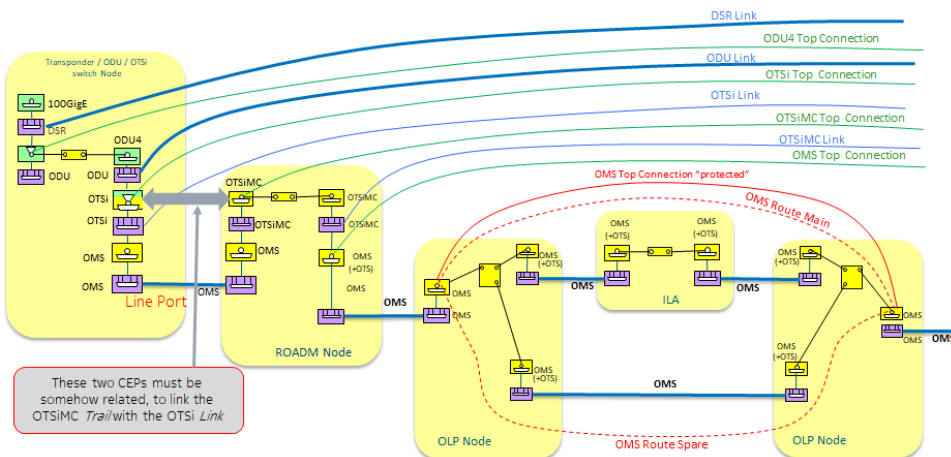
Arturo Mayoral highlights some slides of otcc2020.AM.001\_TAPI\_Photonic\_Model\_Evolution.pptx



After long discussion agreed that:

- The above shown model is still the most correct for the representation of transmission functions.
- Aggregated scenario: agreed that there will be an e2e (transponder to transponder) OTSiA ConnectivityService, which will drive the creation of the various
- Disaggregated scenario: agreed that there will be an e2e (OLS UNI to UNI) OTSiMCA ConnectivityService (\*), which will drive the creation of the various
  - Additional "client related" parameters are necessary to correctly drive the regeneration function(s) - in analogy with "deep packet inspection":
    - OTSi parameters (there could also be cases of frequency interchange, OT-1-3R-2-3R-1-OT)
    - OTU / HO ODU parameters (monitoring purposes)
  - Jonathan Sadler, this opens the discussion whether the OLS "service" is still OTSiMC, and not OTSi or even an OTU/ODU service.
  - Agreed to postpone the use case combining OLP and 3R.

Agreed the following scenario (\*):



(\*) in case of *simplified scenario*, the only layer is MC rather than OTSiMC, see previously discussed item.

Andrea Mazzini presents the updates to TapiOdu model:

1. Added "effectiveTimeSlotList" to ODU(Cn) CEP TTP pac
2. Add "n" of ODUcN ("numberOfOduC") to ODU CEP and CSEP Common pacs

TapiOdu updates agreed and ready to commit (see also related agreements on 2020-03-31 TAPI Meeting notes)

Last commits before 2.1.3 freeze are TapiOdu and TapiStreaming by Nigel Davis