

# 2020-12-08 TAPI Meeting Notes

## Date

08 Dec 2020

## Attendees

- [Nigel Davis](#)
- [Andrea Mazzini](#)
- [Malcolm Betts](#)
- [Ronald Zabaleta](#)
- [Xiaobing NIU](#)
- [Karthik Sethuraman](#)
- [Hing-Kam Lam](#)
- [Leo Nederlof](#)

## Goals

- Admin
- Continue discussion on OTU(+ODUCn) CEP/CSEP as single point for OTU/OTSiA ConnectivityService provisioning, **(blocking, 1)**
  - Check the possible consequences of OTU/OTSiA agreed use cases to MCA/OTSiMCA model
  - 3R
  - ENNI/INNI Asymmetric service provisioning for multi-domain scenarios, agree UC

## Agred Items & Priority

- Below the list of the agreed items and related priority for the next TAPI & RIA versions.
  - An item is blocking when its resolution is necessary precondition for the next delivery.

1. OTU(+ODUCn) CEP/CSEP as single point for OTU/OTSiA ConnectivityService provisioning **(blocking, 1)**
  - a. 3R
  - b. ENNI/INNI Asymmetric service provisioning for multi-domain scenarios, agree UCs.
2. OTS and OMS model **(blocking, 2)**
3. Lifecycle management of ConnectivityService at every layer, necessary to identify UCs **(blocking, 3)**
  - a. Lifecycle management of single ConnectivityService, necessary to identify UCs
4. MEP/MIP model vs. direct inclusion of OAM parameters in the CEP **(blocking, 4)**
  - a. ODU OAM
  - b. Photonic OAM
  - c. TCA provisioning
5. Elementary alarm (e.g. ITU-T cZZZ fault causes), including TCA related notif), current and history **(blocking, 5)**
6. Photonic model capability **(blocking, 6)**
7. UNI Client interfaces modelling. DSR/ODU multiplexing over ODU **(not blocking)**
8. RESTCONF Response codes for use cases **(not blocking)**
9. TAPI OAS, action points to be assigned **(not blocking)**
10. Routing Constraints **(not blocking)**
11. Physical Route **(not blocking)**

## Discussion items

10mins	Administrative	<a href="#">Andrea Mazzini</a>	<p>15 Dec 2020 TAPI Call: <b>2 hours</b></p> <ul style="list-style-type: none"> <li>• Some clarifications on Restconf/depth and Restconf notification expected contents</li> <li>• Issue <a href="#">501</a></li> <li>• Continue on OTU(+ODUCn) CEP/CSEP as single point for OTU/OTSiA ConnectivityService provisioning, <b>(blocking, 1)</b> <ul style="list-style-type: none"> <li>• Check the possible consequences of OTU/OTSiA agreed use cases to MCA/OTSiMCA model</li> <li>• 3R</li> <li>• ENNI/INNI Asymmetric service provisioning for multi-domain scenarios, agree UC</li> </ul> </li> </ul>
10mins	TR-547 name-value pairs	<a href="#">Nigel Davis</a>	<p><a href="#">Nigel Davis</a> in the <a href="#">TR-547-TAPI v2.1.3 Reference Implementation Agreement.docx</a> are specified some name-value pairs which definition needs further cla</p>

2 Restcom Issue 501

Andri

Andrea Mazzini shows the further clarifications added to 501:

- Karthik Sethuraman looks like that the "presence" statement implies that the client controller must perform checks:
  - "Having a presence container so high in the tree has a performance impact as validating its presence means a call to the full config/state tree."
- Karthik Sethuraman not sure but very likely the "presence" statement was necessary for Eagle tool. Suggests to ask to implementation people.
- Nigel Davis explored the usage of the "presence" statement for the root of a Streaming separate subtree.
  - Andrea Mazzini to perform some tests, e.g. run the Eagle tool without "presence" statement.

8 OTU (+ODU m Cn) CEP /CSEP as single point for OTU /OTSIA

Andrea Mazzini

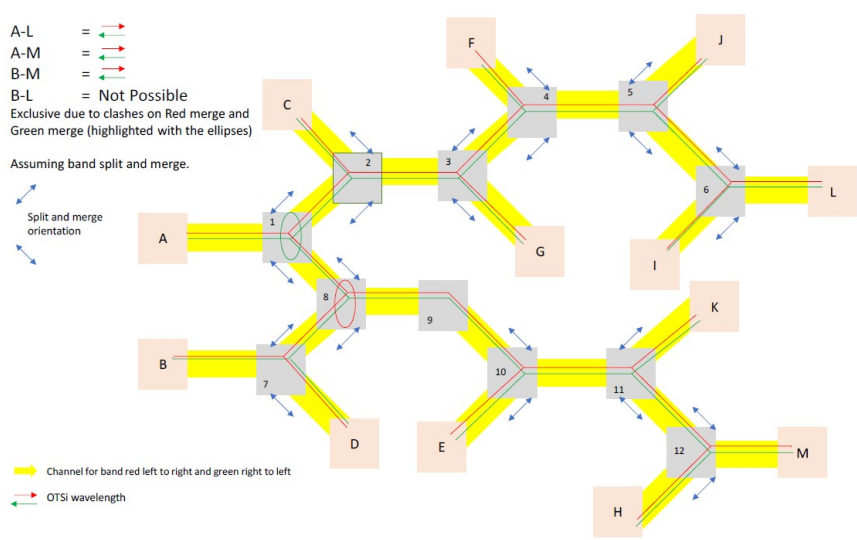
Andrea Mazzini presents the updated slides (otcc2020.AM.001\_TAPI\_Photonic\_Model\_Evolution.pptx).

Summary of agreements:

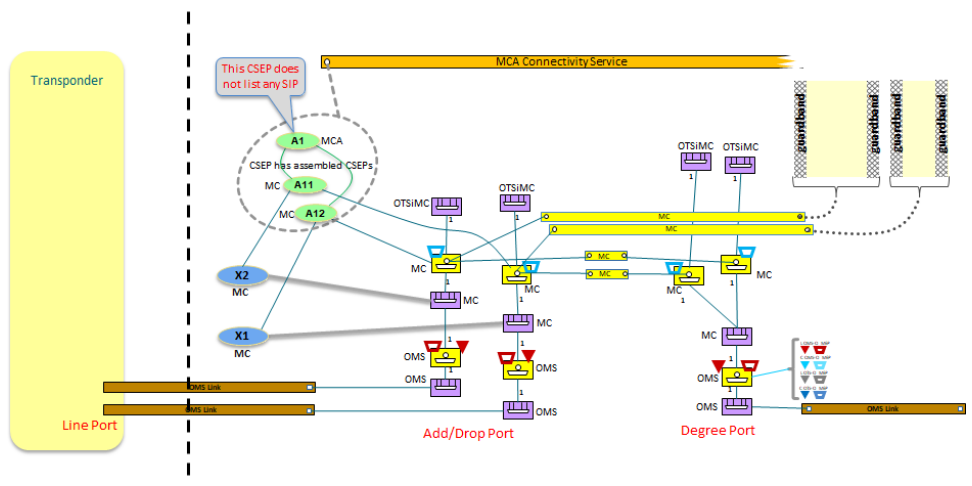
1. Replace all occurrences of MCA with MCG, because is inherently NOT possible to associate an overhead to an MCG.
  - a. Similarly for OTSiMCA?
    - Action everybody to carefully evaluate this proposed change, from MCA to MCG and from OTSiMCA to OTSiMCG, as we have b
2. Remove all MCA and OTSiMCA MEPs and MIPs, because ITU-T defines MCA as the monitoring capability only for the OTS and OMS spans/trails.
3. To the model proposal, add DSR case, where OTSi layer directly supports DSR, without OTN (done in updated version).
4. MCA/MCG slide with two add/drop ports, add example where the MCs supported by the two ports remain separate (see below).
5. For further analysis: in general, a given MC "cross connection" may actually support more MC "top connections". The ROADM network provides for
  - a. Explore whether current TAPI definition prevents more accurate representation of the ROADM forwarding/fabric
  - b. Explore whether a more accurate model of the ROADM forwarding/fabric is necessary

Nigel Davis shows the following picture from "TR-512.A.4\_OnfCoreIm-Appendix-AnalogueAndMediaExamples-L0":

TR-512.A.4 Core Information Model – Appendix – Analogue and Media Examples (Layer 0) Version 1.4



- The MCs supported by the two ports remain separate:



• C  
h  
e  
c  
k  
t  
h  
e  
p  
o  
s  
s  
i  
b  
l  
e  
c  
o  
n  
s  
e  
q  
u  
e  
n  
c  
e  
s  
o  
f  
O  
T  
U  
/  
O  
T  
S  
i  
A  
a  
g  
r  
e  
e  
d  
u  
s  
e  
c  
a  
s  
e  
s  
t  
o  
M  
C  
A  
/  
O  
T  
S  
i  
M  
C  
A  
m  
o  
d  
e  
l