



Preparations & Integration for the M-CORD Demo at MWC 2018

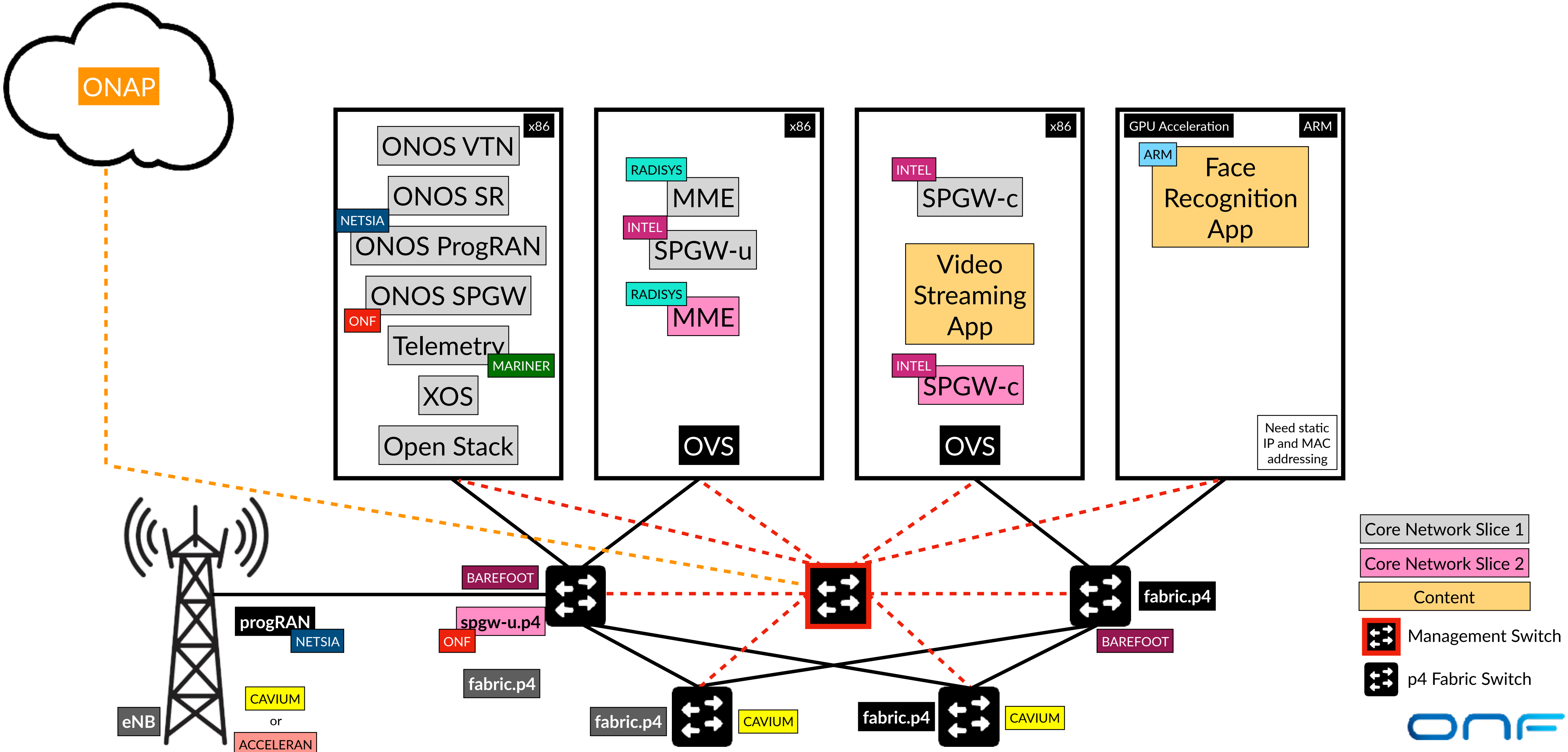
M. Oğuz Sunay
M-CORD Chief Architect
ONF

January 3, 2018

An Operator Led Consortium

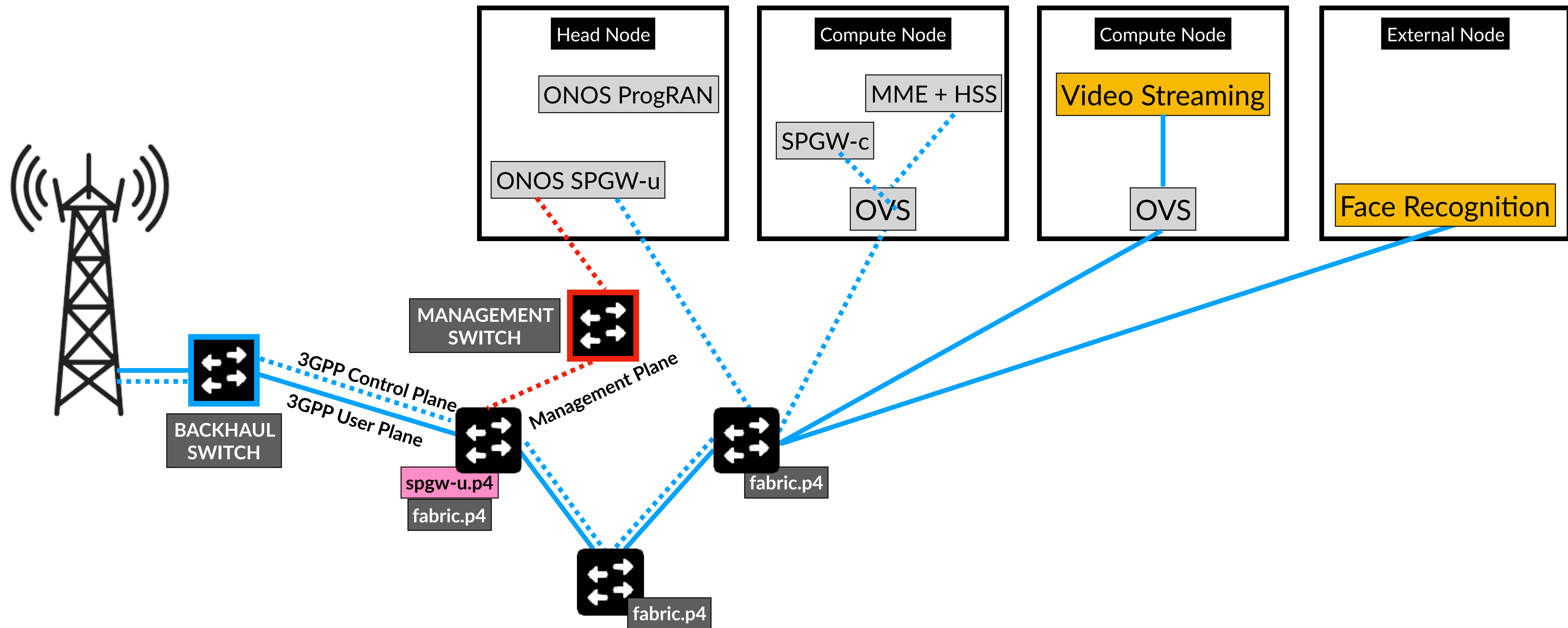


MWC Demo Architecture



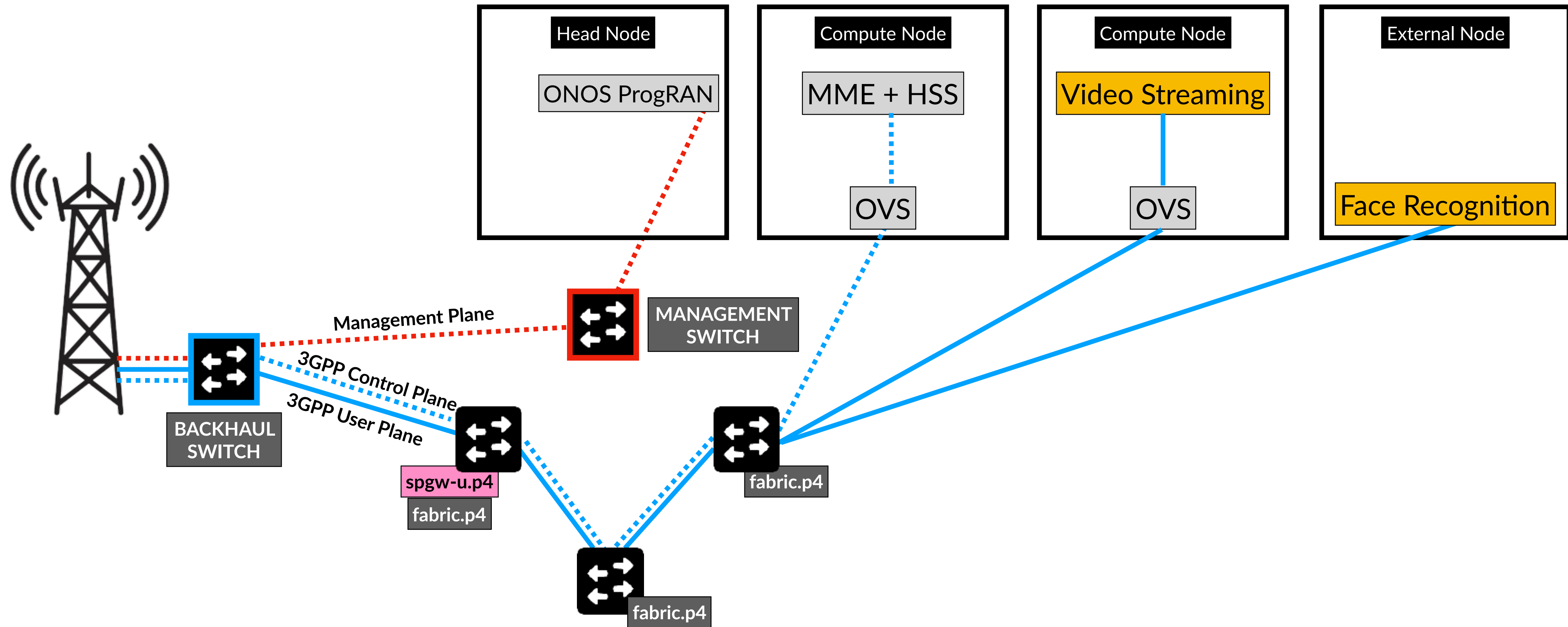
Connectivity

NETWORK SLICE #1



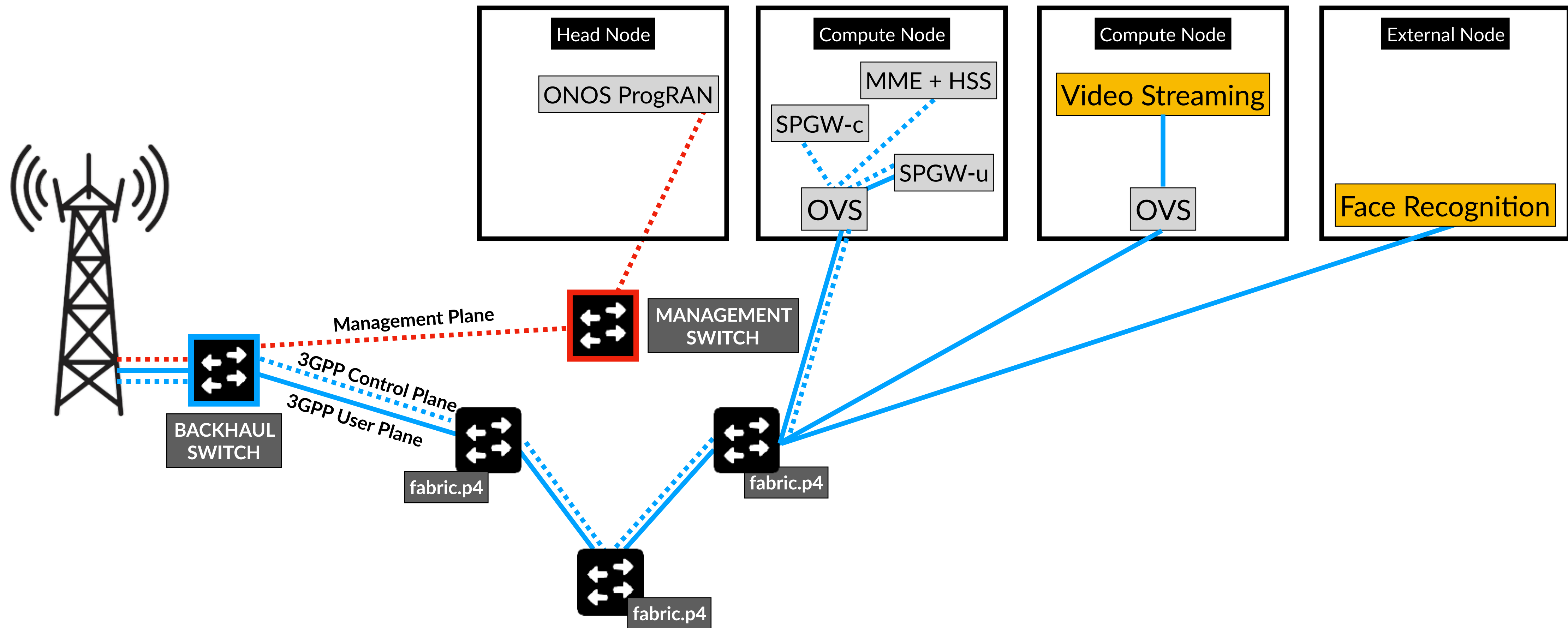
Connectivity

NETWORK SLICE #1



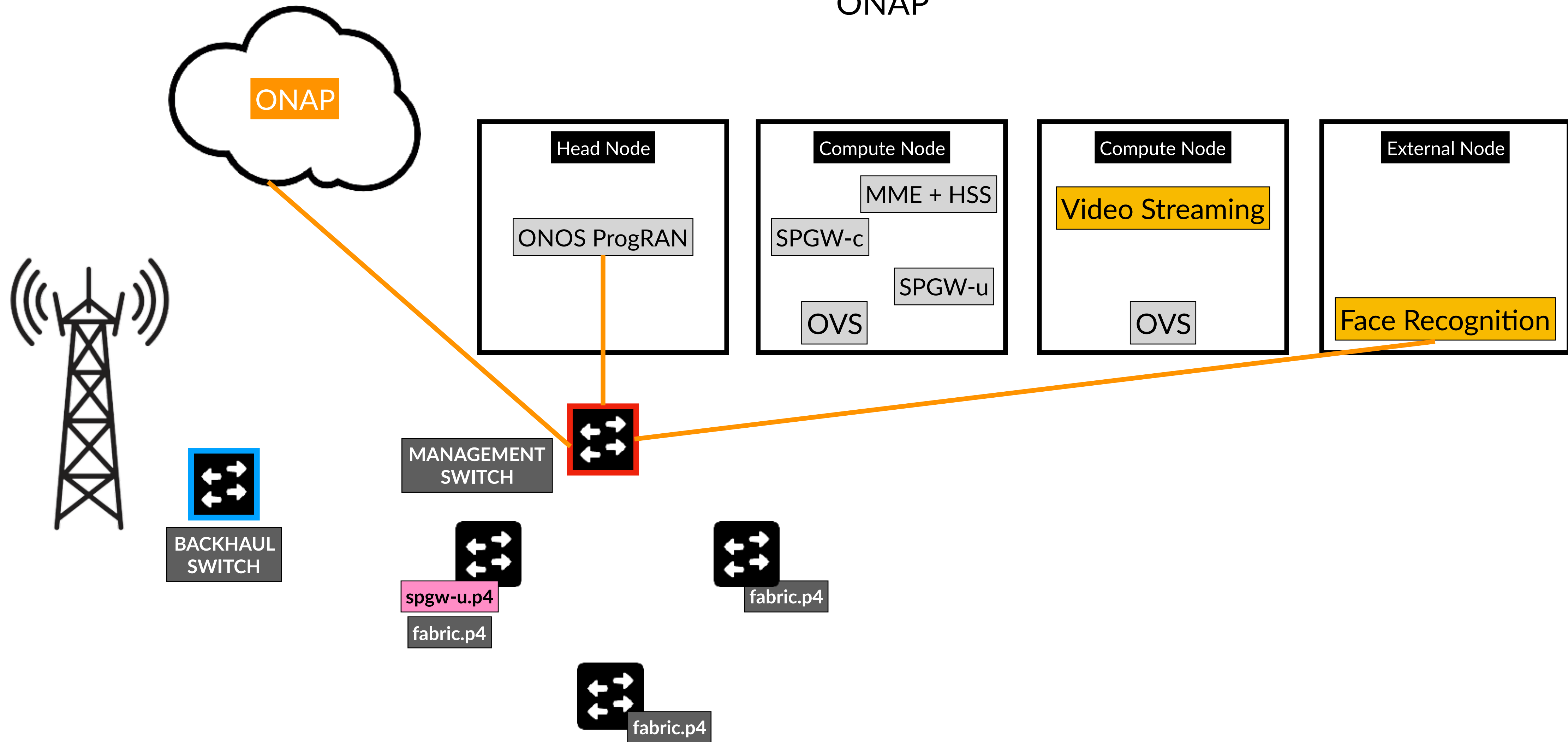
Connectivity

NETWORK SLICE #2



Connectivity

ONAP



Connectivity

Telemetry

