



Preparations & Integration for the M-CORD Demo at MWC 2018

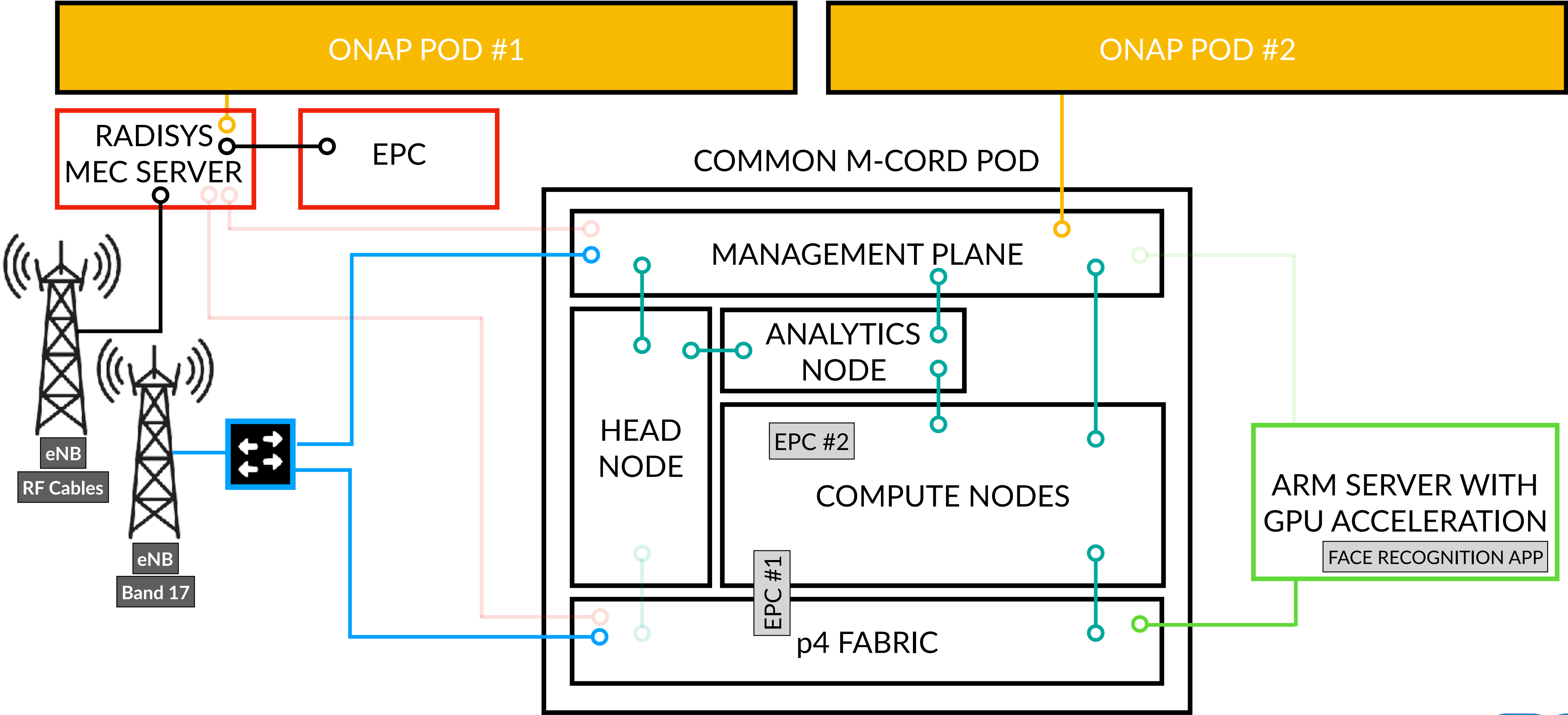
M. Oğuz Sunay
M-CORD Chief Architect
ONF

January 10, 2018

An Operator Led Consortium



MWC Demo Architecture



Status Update

- Hardware from ONF, Netsia and Radisys have been shipped.
- Accomplishments:
 - On ONF hardware:
 - CORD 5.0 installed and working,
 - Multi-vendor p4 fabric operational,
 - All VNF EPC operational with minor glitches,
 - p4 UP based EPC operational with minor glitches,
 - On Netsia hardware:
 - ONAP installed and working,
 - ProgRAN RAN slicing design UI integrated to ONAP's SDC
 - Designed slice profile successfully pushed to ONOS ProgRAN App
 - Successful NBI between ONOS ProgRAN App and Mariner Telemetry Collector
 - Analytics trigger received at DCAE pushed to Policy Editor

Status Update

- Hardware from ONF, Netsia and Radisys have been shipped.
- Accomplishments:
 - On Radisys hardware:
 - ONAP onboards and instantiates MEC-side VoIP VMs on Edge Open Stack
 - MEC-side VoIP VM to local EPC communication successful

Next Steps

- ONF-side:
 - MUST - Dev M-CORD pod to be made operational
 - MUST - Minor glitches on EPC to be resolved - need help from Intel & Sprint
 - DESIRABLE - EPC throughput performance to be enhanced- need help from Intel & Sprint
 - MUST - Two EPC instances to concurrently work and be reachable from the eNB
 - MUST - CollectD to be installed on the headnode
 - MUST - Mariner VMs to be installed on the devnode- need help from Mariner
 - MUST - ARM server to be connected to the fabric and end-to-end connectivity to be ensured - need help from ARM
 - MUST - XOS UI for ProgRAN to be completed - need help from Netsia
 - DESIRABLE - spgw.p4 bug to be fixed and program be re-compiled - need help from Barefoot

Next Steps

- Netsia-side:
 - MUST - Dev ONAP pod to be made operational
 - MUST - CORD - ONAP connectivity over VPN ensured - need help from ONF
 - MUST - Closed loop analytics to be tested - need help from ONF & Mariner
 - MUST - Management router configuration to be conducted - need help from ONF
- Radisys-side:
 - DESIRABLE: Additional MEC features to be added