



Preparations & Integration for the M-CORD Demo at MWC 2018

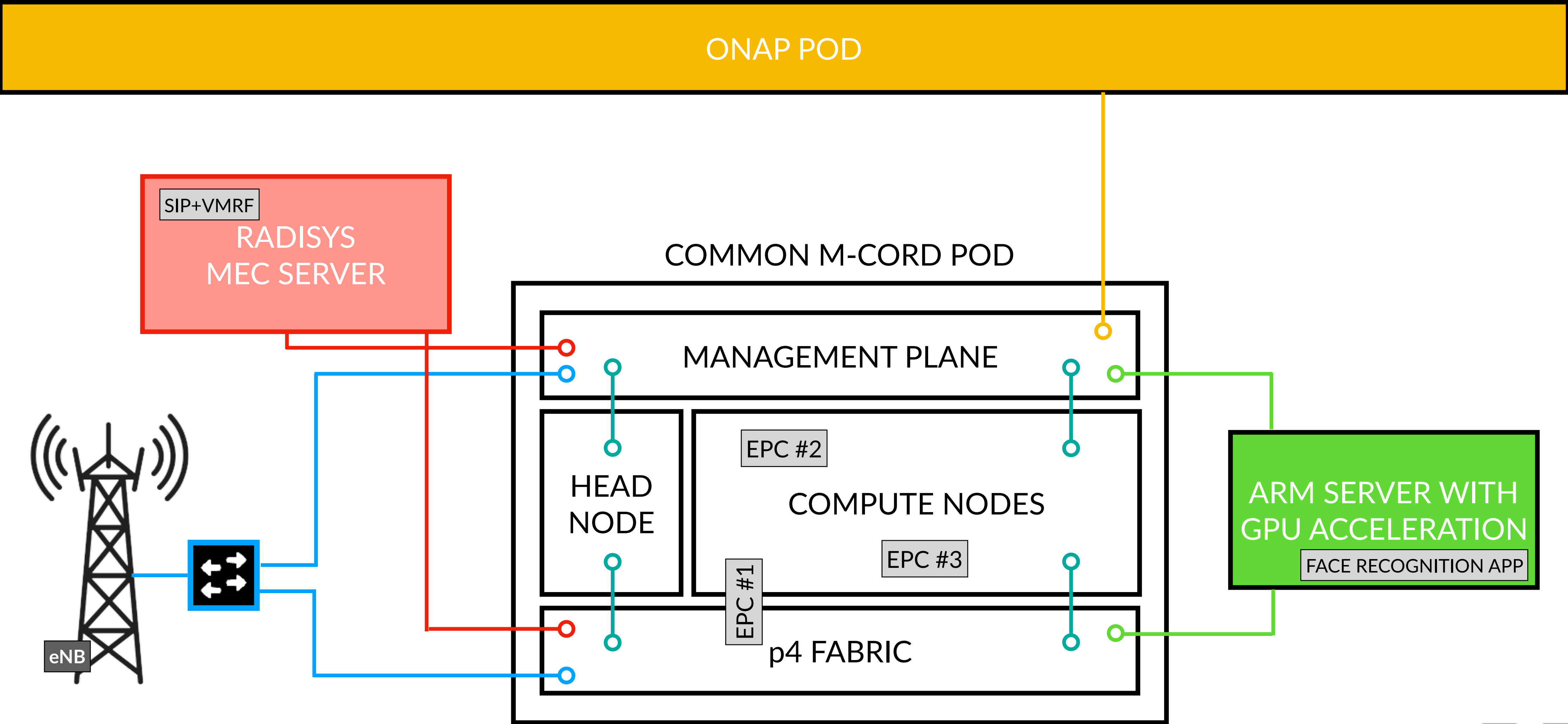
M. Oğuz Sunay
M-CORD Chief Architect
ONF

January 10, 2018

An Operator Led Consortium



MWC Demo Architecture



MOVING PARTS

- TELEMETRY

- Moving Parts: **MARINER** COLLECTOR (Head Node), **NETSIA** ONOS PROGRAM (Head Node), **MARINER** ONAP - DCAE(?) (ONAP Pod), **INTEL** EPC VNFs(?)

- RAN SLICING

- Moving Parts: **NETSIA** ONOS PROGRAM (Head Node) + **NETSIA** ONAP SDC+SDNC (ONAP Pod)

- SPGW-u.p4

- Moving Parts: **ONF** ONOS SPGW-u (Head Node + Fabric Switch)

- GPU ACCELERATION

- Moving Parts: **ARM** Face Recognition App (ARM Server), **, **ARM** ONAP (ONAP Pod), **INTEL** + **ONF** p4 EPC

- MEC

- Moving Parts: **RADISYS** MEC Server, **RADISYS** ONAP (ONAP Pod), **INTEL** EPC VNFs, **NETSIA** Network Slicing

- NGIC

- Moving Parts: **INTEL** EPC VNFs, **NETSIA** Network Slicing