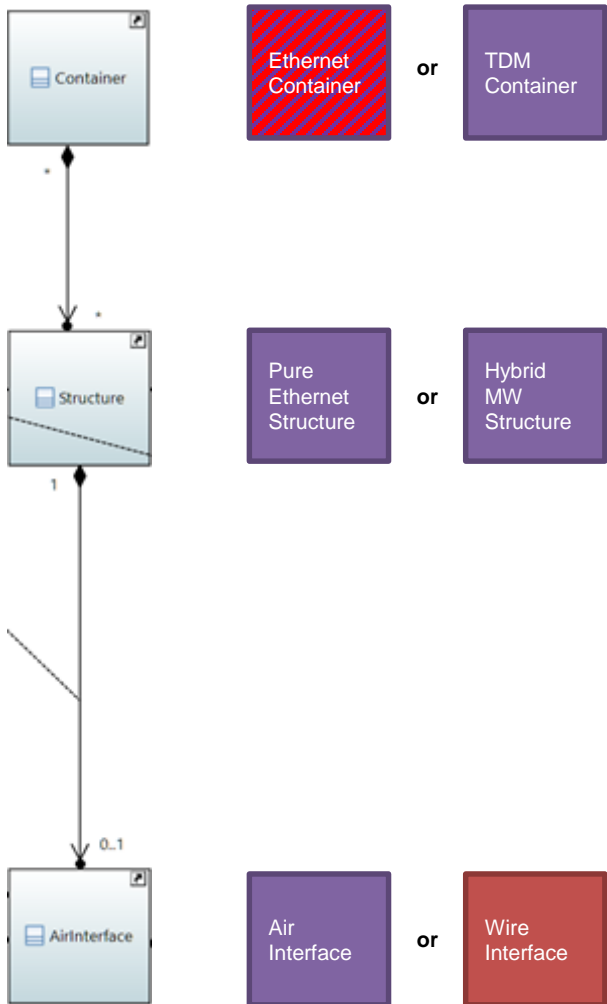


Ethernet PHY Information Model proposal

25th of June, Thorsten Heinze

Overview on _Pac Level – MW IM + EP IM

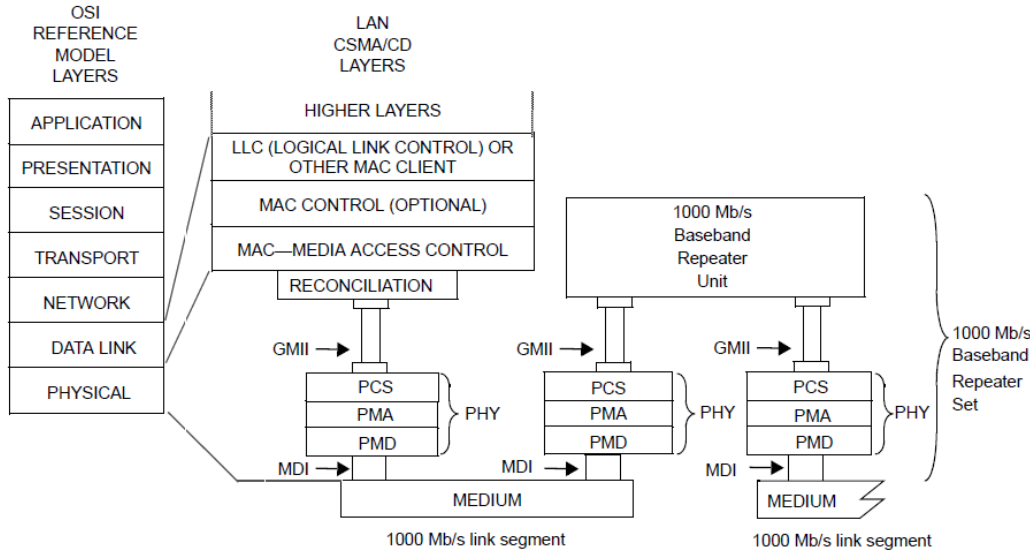


Microwave IM and Ethernet PHY integrate with each other

Ethernet PHY is just another _Pac / YANG file on AirInterface level

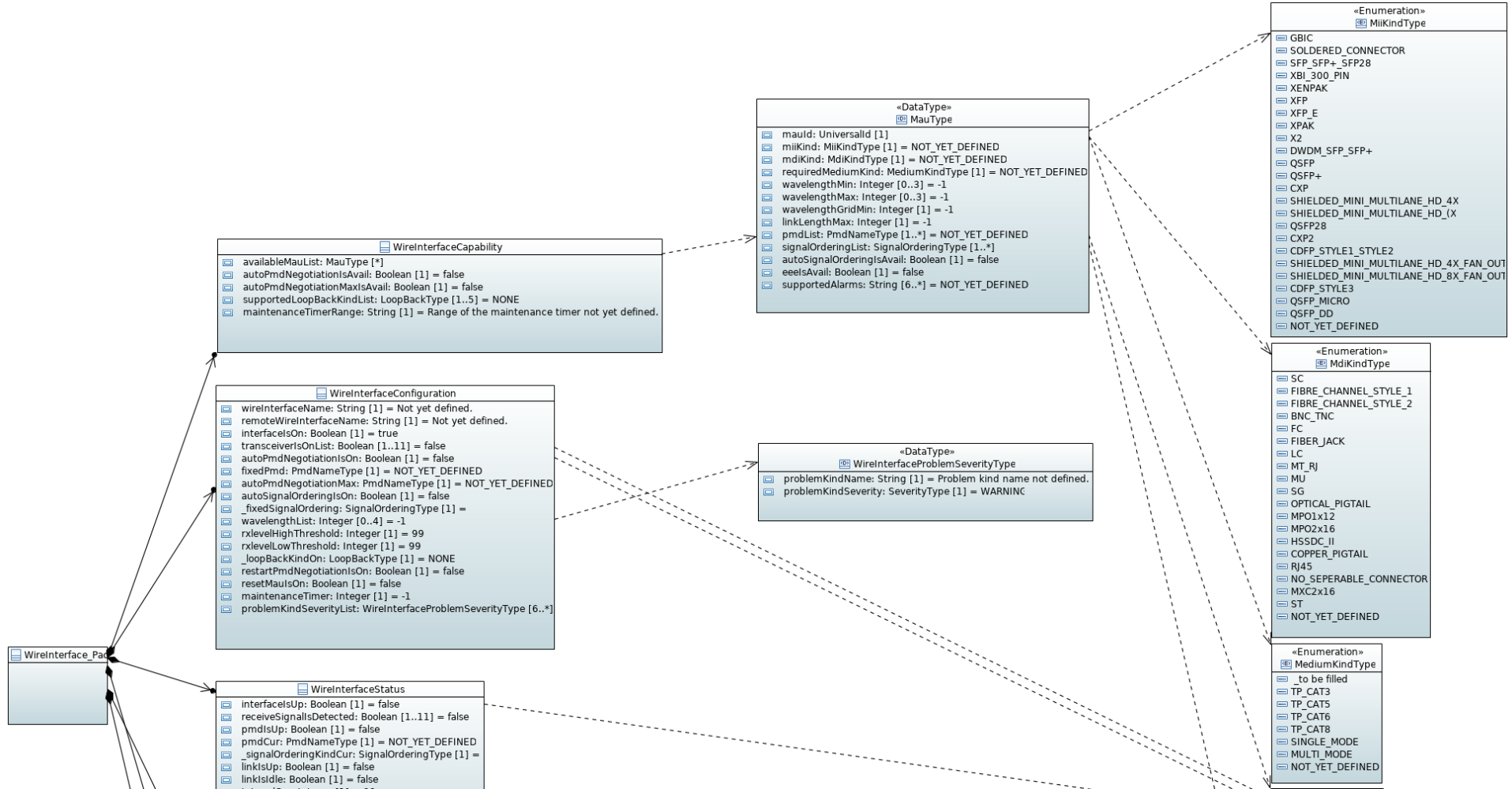
EthernetContainer might be kept or be updated according to resource situation and time schedule

Overview on Attribute Level – EP IM

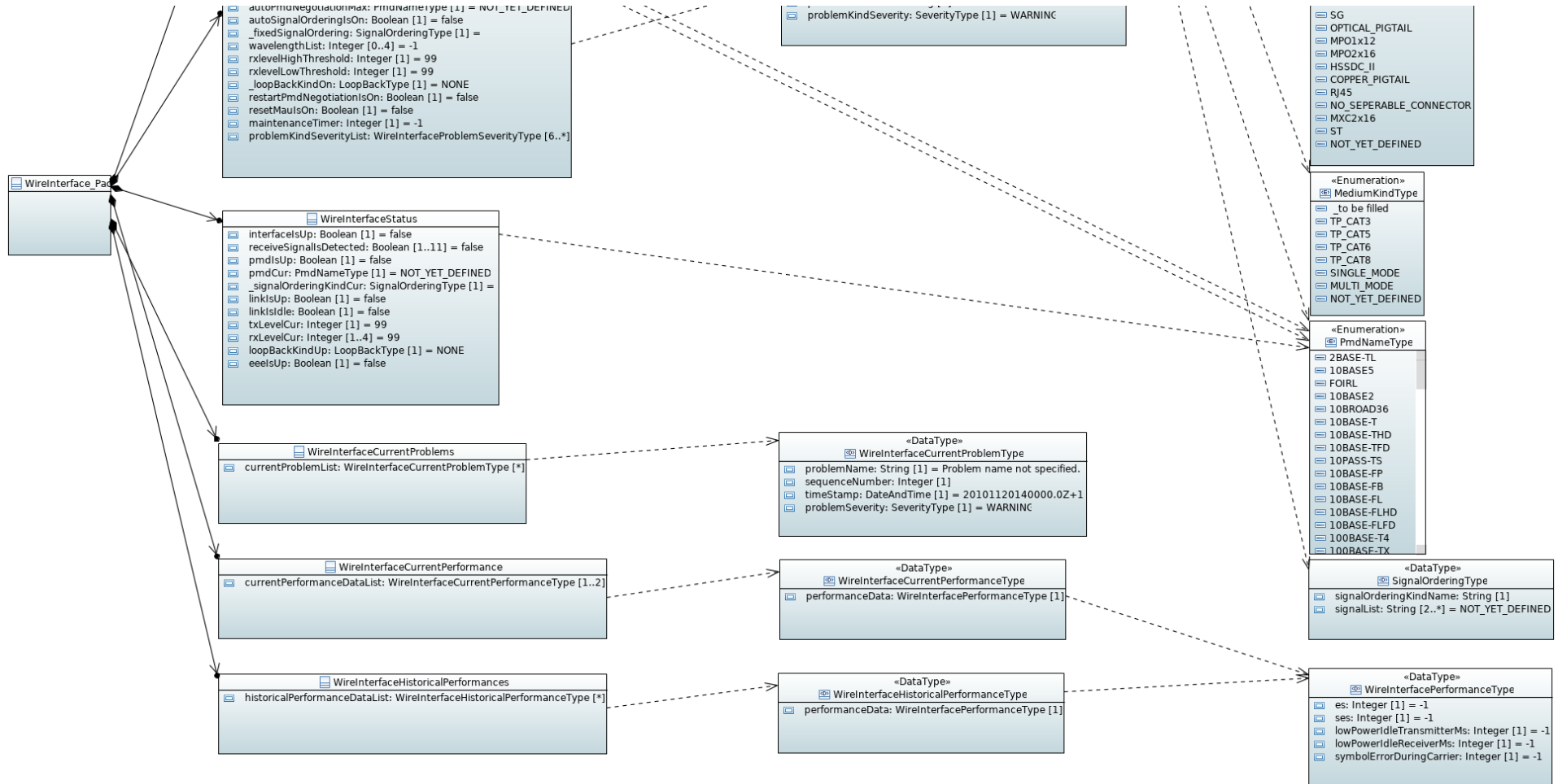


	...			
	LLC	DTE		
	MAC			
Gigabit Media Independent Interface	xMII			
Physical Coding Sublayer	PCS	MAU	PHY	Eth.-Container
Physical Medium Attachment	PMA			
Physical Medium Dependent	PMD			
Medium Dependent Interface	MDI			
	Medium			

Overview on Attribute Level – EP IM



Overview on Attribute Level – EP IM



Thank You